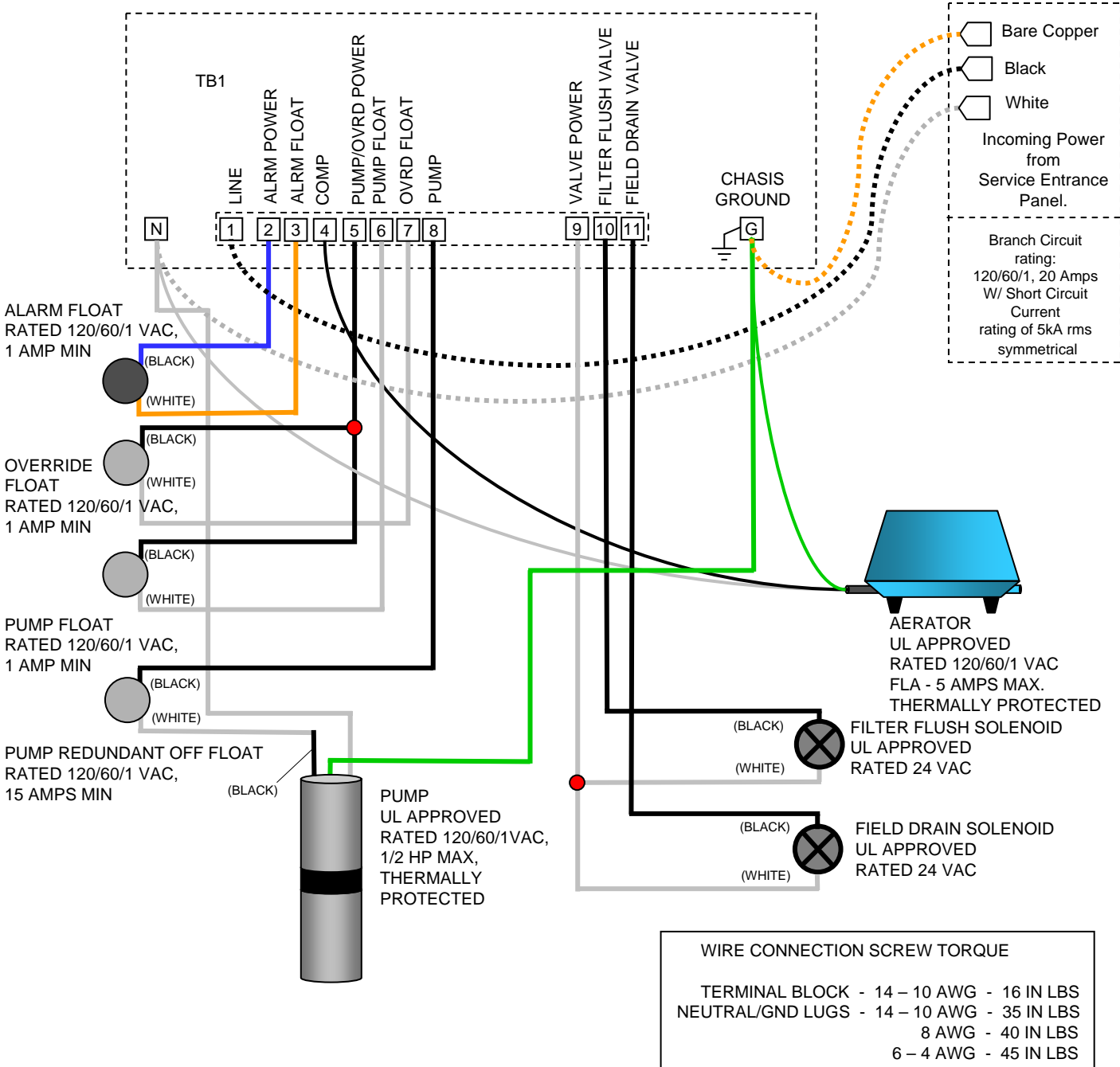


# MODEL DRP-1, 120VAC DRIP CONTROL PANEL, SINGLE FIELD, Field Wiring Diagram

Software version DRP-0001-0000

## CONTROL PANEL



### Notes for field installed components:

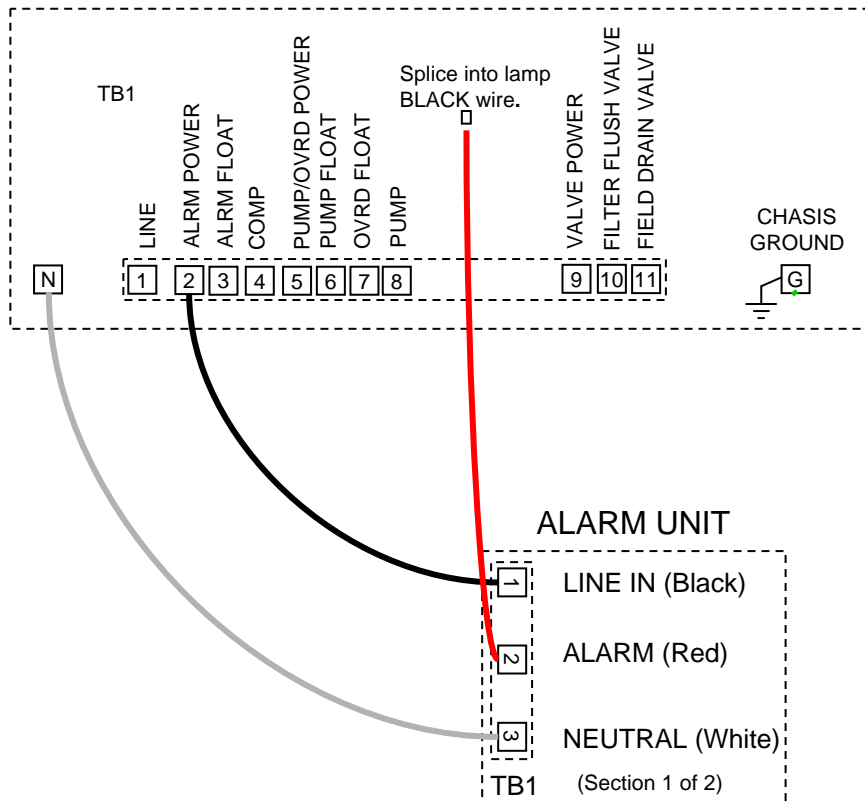
1. Main Disconnect, Branch Circuit Protection, wiring and external components to be provided by installer.
2. Field wiring - #12 - #10 AWG, 60°C min, use copper conductors only.
3. Field installed conduit fittings must be rated for use with Type 4X Enclosure.
4. **Conduit openings must be sealed around wiring with an electrical grade (non-corrosive) sealant to prevent potentially harmful vapors from entering the control panel.**

Copyright Notice

**MODEL DRP-1, 120VAC DRIP CONTROL PANEL,  
SINGLE FIELD, Field Wiring Diagram**

Software version DRP-0001-0000

**CONTROL PANEL**



**RAB ALARM BOX ADDED TO STANDARD MODEL DRP-1  
INSTALL THESE WIRES IN ADDITION TO THE ONES SHOWN ON PAGE 1**

**PLACE THE TEST/MUTE SWITCH ON THE DRP-1 TO THE MUTE POSITION,  
OTHERWISE THE COVER WOULD HAVE TO BE REMOVED TO SILENCE IT.**

**WIRE CONNECTION SCREW TORQUE**

TERMINAL BLOCK	- 14 - 10 AWG	- 16 IN LBS
NEUTRAL/GND LUGS	- 14 - 10 AWG	- 35 IN LBS
	8 AWG	- 40 IN LBS
	6 - 4 AWG	- 45 IN LBS

**Notes for field installed components:**

1. Main Disconnect, Branch Circuit Protection, wiring and external components to be provided by installer.
2. Field wiring - #12 - #10 AWG, 60°C min, use copper conductors only.
3. Field installed conduit fittings must be rated for use with Type 4X Enclosure.
4. **Conduit openings must be sealed around wiring with an electrical grade (non-corrosive) sealant to prevent potentially harmful vapors from entering the control panel.**

Copyright Notice